

# Product Information Balcony Awning B3000

- Excellent price-performance ratio
- Particularly suitable for balconies or small terraces
- Fashionable visual appearance
- Up-to-date colours and numerous designs
- Easy operation



## Design description

### Articulated arms

Made from extruded aluminium, with negative camber, powder-coated.  
Discreetly hidden fibre glass tape, with inlying noise-reduced special springs.

### Fabric roll shaft

Grooved shaft made from galvanized steel; dimension  $\varnothing$  78/1mm.

### Extension profile

Made from extruded aluminium with lateral aluminium end caps; dimension 53 x 74 mm.

### Drive options

#### a) Crank handle drive

Via crank rod with ball hook; length of the crank handle 1200, 1400, 1800, or special length up to 3000 mm.

#### b) Motor drive

Via tubular motor (230 V/50 Hz) pushed into the fabric roll shaft; convenient adjusting possibility of the limit stops; VDE- and TÜV-certified. Noise emission level  $\leq$  70dB(A) acc. to EN ISO 12100-2:2003.

### Inclination adjustment

Via socket spanner from 0° to 70°.

### Custom-made fabric

According to current range.  
Width of the custom-made fabric = complete width -80 mm.  
Tolerances in length according to EN13561.

### Installation options

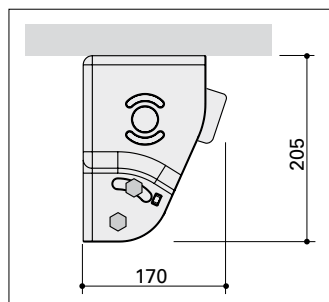
On the wall or the ceiling.

### Colours

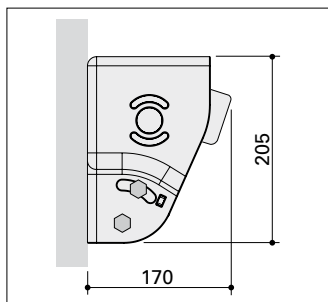
Frame colours in RAL 9016 (normal white) and RAL 9006 (white-aluminium).



## Installation options



Ceiling installation



Wall installation

## Minimum widths

Extension (mm)	1500	2000	2500	3000	3500
Single unit crank handle drive	1940	2380	2880	-	-
Single unit motor drive	1940	2380	2880	-	-

<b>Max. width:</b> Single unit Linked set	5.0 m -
<b>Max. extension:</b> Single unit Linked set	2.5 m -
<b>Design:</b>	open
<b>Articulated arm:</b> Extruded aluminium, hinges made from cast aluminium.	Fibre glass tape
<b>Inclination:</b> Range of adjustment	0° - 70°
<b>Variomatic:</b> (with single units) Variable inclination adjustment up to an extension of 3.5 m	-
<b>VarioPlus Roller Blind:</b> (with single units) up to an extension of 3.5 m	-
<b>Coupleable:</b>	-
<b>Flounce:</b> 5 different forms, all fabric designs	+
<b>Arm covering profile:</b>	-
<b>Wall connection profile:</b>	-
<b>Protection cover:</b> For open awning	-
<b>Frame colours:</b> <b>a) Standard:</b> RAL 9016 White RAL 9006 Silver	 ✓ ✓
<b>b) Special colours:</b> Standard colours acc. to our RAL classic colour chart are available without surcharge	✓
Special colours acc. to the RAL classic colour chart, such as pearl effect, metallic or fluorescent colours, as well as special colours acc. to other colour charts (e.g. DB, TIGER, NCS, Sikkens, etc.) on request.	✓
<b>Fixing:</b> Wall bracket (on concrete I) Ceiling bracket Rafter bracket	 ✓ + -

✓ Included in the delivery  
+ Surcharge  
- not available

Qualified company:

**Head Office:**  
HELLA Sonnen- und Wetterschutztechnik GmbH  
A-9913 Abfaltersbach 125  
T. +43 (0)4846 / 65 55-0  
F. +43 (0)4846 / 65 55-134  
E: office@hella.info

www.hella.info