

# Product Information **Cassette Awning C2**

Fresh design, fashionable overall impression  
Protection for the fabric and the arms by the full cassette  
Up-to-date colours and numerous designs  
Easy operation



# Design description

## Fabric roll shaft

Ø 85 mm

## Box

Cassette in one piece, made from extruded aluminium profile.

## Articulated arms

Made from extruded aluminium, with negative camber, powder-coated. Drop-forged and powder-coated hinges. Corrosion protected round steel link chain with inlying noise-reduced special springs.

## Extension profile

In two parts, extruded, powder-coated, to integrate the fabric.

## End caps

Made from aluminium.

## Brackets

Made from extruded and powder-coated aluminium, for installation to the wall, the ceiling or the rafter.

## Inclination adjustment

Continuously adjustable from 5° to 40°.

## Gutter pipe for Varioplus

Made from extruded aluminium, powder-coated. Designed as grooved shaft, Ø 15 mm.

## Drive options

### a) Crank handle drive

With limit stop and freewheel; length of the crank handle 1200, 1400 or 1800 mm; special length up to 3000 mm; (crank handle drive available up to an extension of max. 3.5 m and a complete width of 6000 mm).

### b) Motor drive

Via tubular motor (230 V/50 Hz) with torque cut-off, pushed into the fabric roll shaft; VDE- and TÜV-certified.

## Colour coating

All parts of the awning are in RAL 9016 (normal white) or RAL 9006 (white-aluminium).

## Custom-made fabric

According to current range. Numerous awning fabrics also available with adhesive welding technology (for a surcharge).

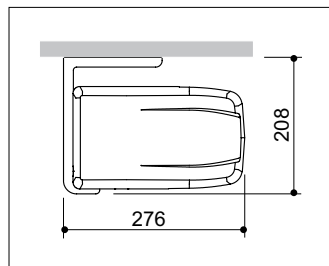
## Flounce

Available in 5 different forms and designs.

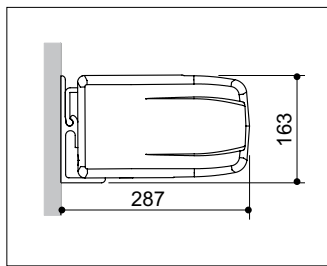


<b>Max. width:</b> Single unit Linked set	7.0 m 14.0 m
<b>Max. extension:</b> Single unit Linked set	4.0 m 4.0 m
<b>Design:</b>	Cassette
<b>Articulated arm:</b> Extruded aluminium, hinges made from cast aluminium.	Round steel link chain
<b>Inclination:</b> Range of adjustment	5° - 40°
<b>Variomatic:</b> (with single units) Variable inclination adjustment up to an extension of 3.5 m	-
<b>VarioPlus Roller Blind:</b> (with single units) up to an extension of 3.5 m	+
<b>Coupleable:</b>	+
<b>Flounce:</b> 5 different forms, all fabric designs	+
<b>Arm covering profile:</b>	-
<b>Wall connection profile:</b>	+
<b>Protection cover:</b> For open awning	-
<b>Frame colours:</b> <b>a) Standard:</b> RAL 9016 White RAL 9006 Silver RAL 8019 Brown RAL 1015 Light ivory RAL 5003 Sapphire blue RAL 6028 Pine green	✓ ✓ ✓ ✓ ✓ ✓
<b>b) Special colours:</b> Standard colours acc. to our RAL classic colour chart are available without surcharge.	✓
Special colours acc. to the RAL classic colour chart, such as pearl effect, metallic or fluorescent colours, as well as special colours acc. to other colour charts (e.g. DB, TIGER, NCS, Sikkens, etc.) on request.	✓
<b>Fixing:</b> Wall bracket (on concrete I) Ceiling bracket Rafter bracket	✓ + +

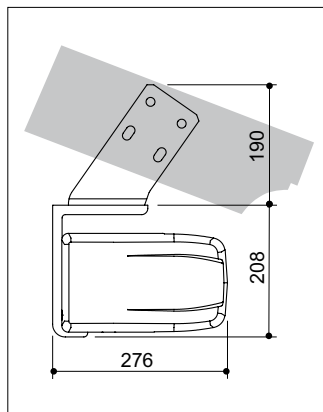
## Installation options



Ceiling installation



Wall installation



Rafter installation

## Minimum widths

Extension (mm)	1500	2000	2500	3000	3500	4000
Single unit (2 arms)	2000	2500	3000	3500	4000	4500
Single unit (3 arms)	2920	3670	4420	5180	5930	6680
Linked set (4 arms)	4000	5000	6000	7000	8000	9000
Linked set (6 arms)	5840	7340	8840	10360	11860	13360

✓ Included in the delivery  
+ Surcharge  
- not available

Qualified company:

**Head Office:**  
HELLA Sonnen- und Wetterschutztechnik GmbH  
A-9913 Abfaltersbach 125  
T. +43 (0)4846 / 65 55-0  
F. +43 (0)4846 / 65 55-134  
E: office@hella.info

www.hella.info