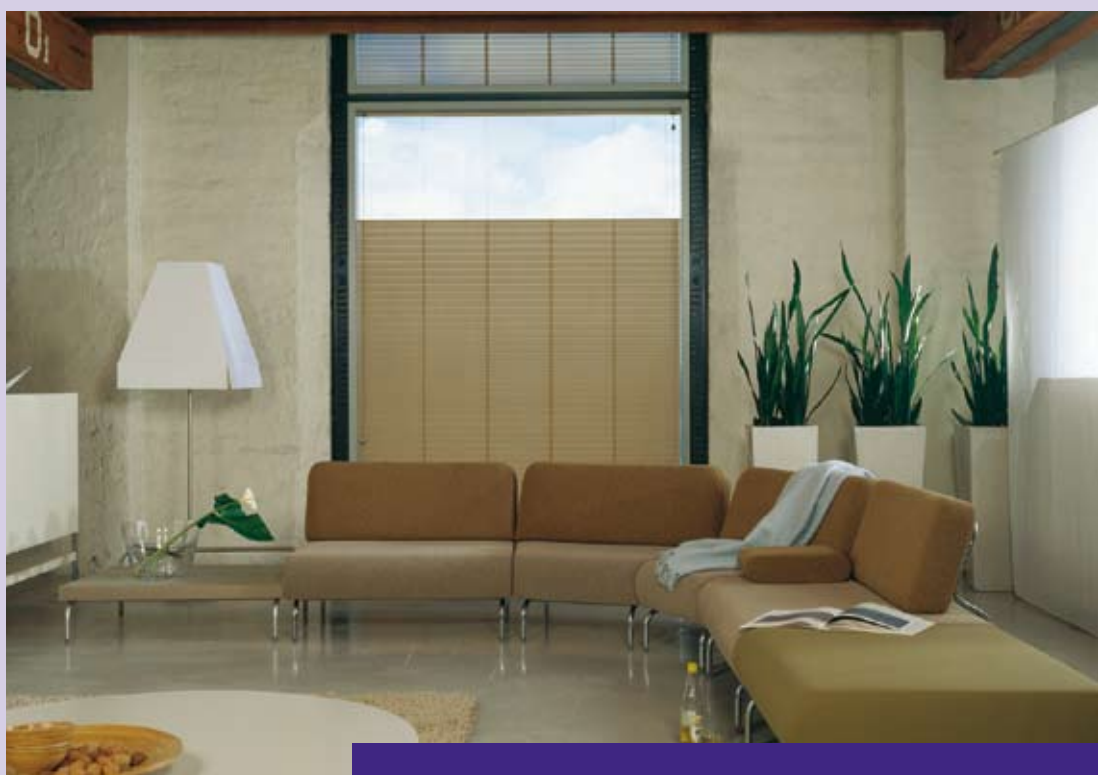
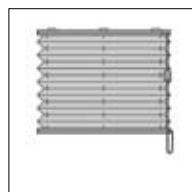


Product Information Pleated blinds 20/25 mm

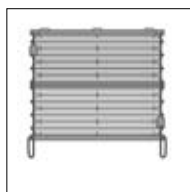
View- and sun protection
Design element due to numerous designs and large range of blinds
Long lifespan and convenient operation



Models for vertical, pivoted and pivot-hung windows



Standard
free-hanging



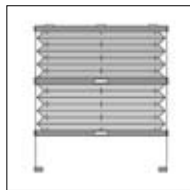
Day & Night
with pendulum safety device



Trapezoid
single-sided slope



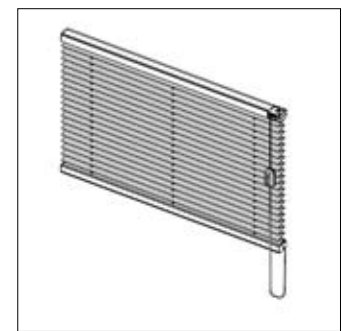
Triangle
tensioned



Day & Night
tensioned

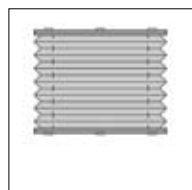


Slope
tensioned

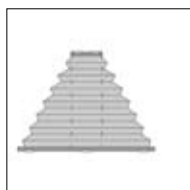


Draw-cord

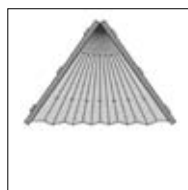
Models for fixed elements



Standard



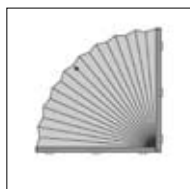
Trapezoid
slope on both sides



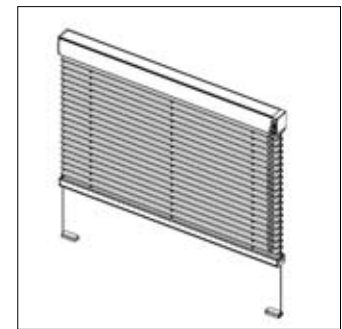
Triangle
right-angled



Round
semi-circle

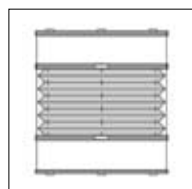


Round
quarter-circle

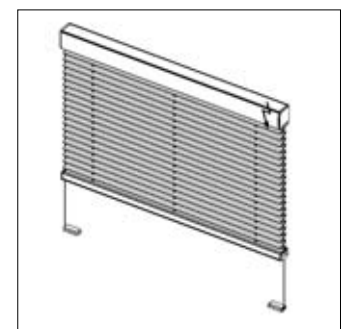


Draw-chain

Models for conservatories and ceiling facilities



Duo
mit Spannprofilen



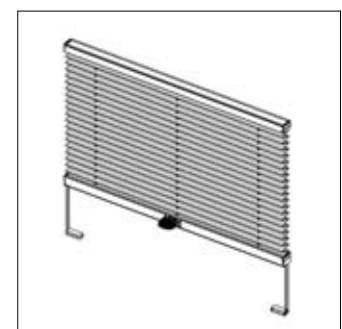
Electric driven

Models not shown here are also available on request!

Fabrics

According to current range

transparent, semi-transparent, black-out



Handle operated

Qualified company:

Head Office:
HELLA Sonnen- und Wetterschutztechnik GmbH
A-9913 Abfaltersbach 125
T. +43 (0)4846 / 65 55-0
F. +43 (0)4846 / 65 55-134
E: office@hella.info

www.hella.info