

Product Information Open Awning Sola

A starter model with all benefits of a high-quality awning

Attractive styling

Up-to-date colours and numerous designs

Easy operation



Design description

Articulated arms

Made from extruded aluminium, with negative camber, powder-coated.

Discreetly hidden fibre glass tape, with inlying noise-reduced special springs.

Stay pipe

Rectangular tube made from galvanized and powder-coated steel, dimension 40 x 40 x 2 mm.

Fabric roll shaft

Grooved shaft made from galvanized steel, dimension \varnothing 78/1 mm.

Extension profile

Made from extruded aluminium and with aluminium end caps, dimension 53 x 74 mm.

Inclination adjustment

Via socket spanner from 5° - 60°.

Drive options

a) Crank handle drive

With limit stop and freewheel, using a crank rod with ball hook; length of the crank handle 1200, 1400, 1800 or special length up to 3000 mm.

b) Motor drive

Via tubular motor (230 V/50 Hz), pushed into the fabric roll shaft; convenient adjusting possibilities of the limit switches; VDE- and TÜV-certified. Noise emission level \leq 70dB(A) acc. to EN ISO 12100-2:2003.

Custom-made fabric

Acc. to current range.

Width of the custom-made fabric = complete width - 125 mm.

Tolerances in length acc. to EN13561.

Installation options

- without rain shelter

- with rain shelter

The awning can be fixed to the wall, the ceiling or the rafter.

Rain shelter (surcharge!)

Rain shelter made from extruded aluminium (2.5 mm) with lateral closures made from aluminium sheet.

Colours

Frame colours in

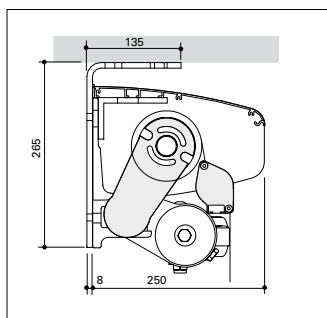
RAL 9016 (normal white)

RAL 9006 (white-aluminium)

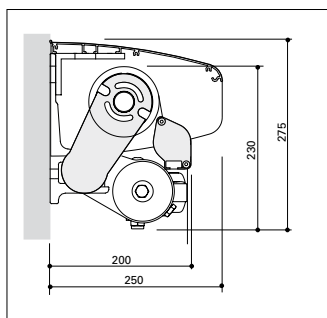


Max. width:	
Single unit	6.0 m
Linked set	12.0 m
Max. extension:	
Single unit	3.5 m
Linked set	3.5 m
Design:	open
Articulated arm:	Fibre glass tape
Extruded aluminium, hinges made from cast aluminium.	
Inclination:	5° - 60°
Range of adjustment	
Variomatic:	
(with single units)	
Variable inclination adjustment up to an extension of 3.5 m	-
VarioPlus Roller Blind:	
(with single units)	
up to an extension of 3.0 m	+
Coupleable:	+
Flounce:	✓
5 different forms, all fabric designs	
Arm covering profile:	-
Wall connection profile:	-
Protection cover:	
For open awning	+
Frame colours:	
a) Standard:	
RAL 9016 White	✓
RAL 9006 Silver	✓
b) Special colours:	
Standard colours acc. to our RAL classic colour chart are available without surcharge.	✓
Special colours acc. to the RAL classic colour chart, such as pearl effect, metallic or fluorescent colours, as well as special colours acc. to other colour charts (e.g. DB, TIGER, NCS, Sikkens, etc.) on request.	✓
Fixing:	
Wall bracket (on concrete I)	✓
Ceiling bracket	+
Rafter bracket	+

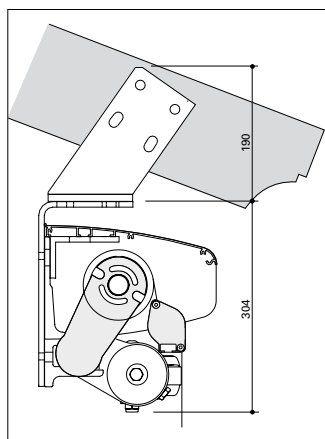
Installation options



Ceiling installation



Wall installation



Rafter installation

Minimum widths

Extension (mm)	1500	2000	2500	3000	3500
Single unit (2 arms)	2060	2460	2980	3460	3940

✓ Included in the delivery
+ Surcharge
- not available

Qualified company:

Head Office:
HELLA Sonnen- und Wetterschutztechnik GmbH
A-9913 Abfaltersbach 125
T. +43 (0)4846 / 65 55-0
F. +43 (0)4846 / 65 55-134
E: office@hella.info

www.hella.info