

Product Information Open Awning Sunrise

Harmonious overall impression
Attractive styling
Excellent price-performance ratio
Up-to-date colours and numerous designs
Easy operation



Design description

Fabric roll shaft

Ø 78 mm, made from galvanized steel.

Articulated arms Secuflex 70

Made from powder-coated aluminium, with negative camber and triple plastic-sheathed steel cables; with inlying noise-reduced special springs.

Extension profile

Made from extruded and powder-coated aluminium, to integrate the fabric and the flounce.

Brackets

Made from powder-coated aluminium, for installation to the wall, the ceiling or the rafter.

Inclination adjustment

Via adjusting screw continuously adjustable from 5° to 60°.

Gutter pipe for Varioplus

Made from extruded and powder-coated aluminium. Designed as grooved shaft, Ø 28 mm.

Drive options

a) Crank handle drive

With limit stop and freewheel; length of the crank handle 1200, 1400 or 1800 mm; special length up to 3000 mm; (crank handle drive available up to a complete width of max. 6250 mm).

b) Motor drive

Via tubular motor (230 V/50 Hz), pushed into the fabric roll shaft;

convenient adjusting possibility of the limit switches; VDE- and TÜV-certified; noise emission level <= 70dB(A) acc. to EN ISO 12100-2:2003.

Colour coating

Frame colours in RAL 9016 (normal white) RAL 9006 (white-aluminium). Special colours acc. to RAL on request.

Custom-made fabric

Acc. to current range. Numerous awning fabrics are available with adhesive welding technology (for a surcharge).

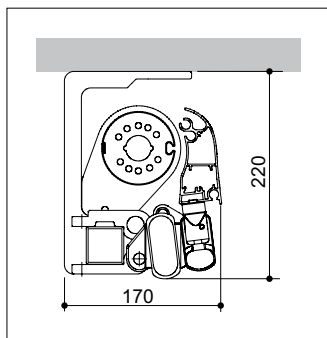
Flounce

Available in 5 different forms and all designs.

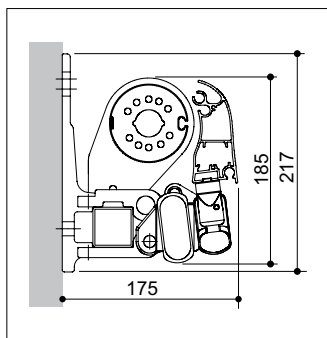


Max. width: Single unit Linked set	7.0 m 12.0 m
Max. extension: Single unit Linked set	4.0 m 4.0 m
Design:	open
Articulated arm: Extruded aluminium, hinges made from cast aluminium.	Triple cable
Inclination: Range of adjustment	5° - 60°
Variomatic: (with single units) Variable inclination adjustment up to an extension of 3.5 m	-
VarioPlus Roller Blind: (with single units) up to a complete width of max. 6000 mm	+
Coupleable:	+
Flounce: 5 different forms, all fabric designs	+
Arm covering profile:	-
Wall connection profile:	-
Protection cover: For open awning	+
Frame colours: a) Standard: RAL 9016 White RAL 9006 Silver	✓ ✓
b) Special colours: Standard colours acc. to our RAL classic colour chart are available without surcharge.	✓
Special colours acc. to the RAL classic colour chart, such as pearl effect, metallic or fluorescent colours, as well as special colours acc. to other colour charts (e.g. DB, TIGER, NCS, Sikkens, etc.) on request.	✓
Fixing: Wall bracket (on concrete I) Ceiling bracket Rafter bracket	✓ + +

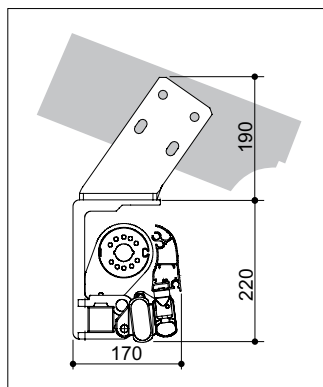
Installation options



Ceiling installation



Wall installation



Rafter installation

Minimum widths

Extension (mm)	1500	2000	2500	3000	3500	4000
Design Maxima	1290	1540	1790	2040	2290	2540
Single unit crank handle (2 arms)	1940	2440	2940	3440	3940	4440
Single unit motor (2 arms)	1910	2410	2910	3410	3910	4410
Single unit motor (3 arms)	-	-	-	-	-	6650
Linked set motor (4 arms)	3820	4820	5820	6820	7820	8820

✓ Included in the delivery

+ Surcharge

- not available

Qualified company:

Head Office:
HELLA Sonnen- und Wetterschutztechnik GmbH
A-9913 Abfaltersbach 125
T. +43 (0)4846 / 65 55-0
F. +43 (0)4846 / 65 55-134
E: office@hella.info

www.hella.info