

Product Information Surface mounted roller shutters

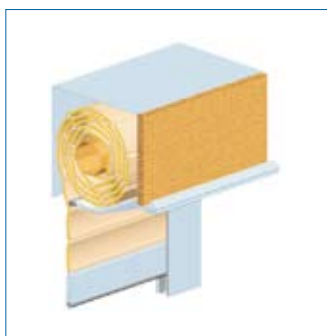
- Optimum view and sun protection
- Can be combined with an insect screen
- Pleasant indoor temperature
- Large variety of special designs available
- Convenient operation via belt, crank handle or motor drive



Product features



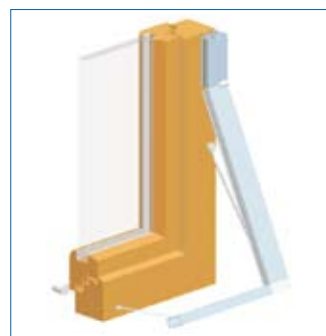
Square box and slanted base for better entry of light.



The square box with plaster base for flush mounting is not visible.



The elegant round box is suitable as a façade decoration.



Hook-out device with gas pressure springs, to be operated from the inside.

Types of operation



Crank handle drive



Belt drive



Electric drive

Product specifications security roller shutter “Top Safe”



The proven push-up lock (patented).



Kastenverstärkungsbügel gegen die Demontage des Kastens.

Limit sizes

Profile	weight (kg/m ²)	Type	min. width (mm)	max. width (mm)	max. height (mm)	max. surface (m ²)
DGO	3,4	GU/SRZ	600	2600	3000	2,9
		KU	400	2600	3000	5,0
		EL	*)	2600	3000	5,0
DG	3,5	GU/SRZ	500	3000	3000	2,8
		KU	400	3000	3000	6,8
		EL	*)	3000	3000	7,5
DGM	4,0	KU	400	3800	2800	6,0
		EL	*)	3800	2800	8,0
DK	3,0	GU/SRZ	700	1800	3000	3,0
		KU	500	1800	3000	3,0
		EL	*)	1800	3000	3,0
TS	8,0	KU	400	2500	3000	3,8
		EL	*)	2500	3000	6,5

*) on demand (depending on type of electric drive))

DGO ... Double-walled aluminium roller shutter profile (32/7 mm), foamed hollow space.

DG37 ... Double-walled aluminium roller shutter profile (37/7 mm), foamed hollow space.

DGM ... Double-walled aluminium roller shutter profile (42/9 mm), foamed hollow space

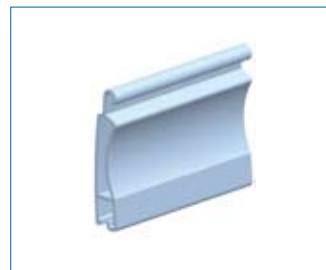
DK ... Double-walled roller shutter hollow chamber profile made of plastic (37/8mm)

TS ... Double-walled extruded aluminium roller shutter profile (32/7,5 mm).

Outer surfaces powdercoated.



Reinforced end rail with dual neoprene and steel insert.



Security roller shutter profile.



Reinforced security guide rail with additional dismantling safety. (patented)

Qualified company:

Head Office:
HELLA Sonnen- und Wetterschutztechnik GmbH
 A-9913 Abfaltersbach 125
 T. +43 (0)4846 / 65 55-0
 F. +43 (0)4846 / 65 55-134
 E: office@hella.info

www.hella.info